

## LSC500S3-6

Powered by Cummins



60HZ



Water-cooled



Three Phase



Diesel

| Model         | LSC500S3-6 |         |
|---------------|------------|---------|
| Standby Power | KVA        | 500     |
|               | KW         | 400     |
| Prime Power   | KVA        | 475     |
|               | KW         | 380     |
| Frequency     | Hz         | 60      |
| Voltage       | V          | 208/416 |
| Rated speed   | rpm        | 1800    |

Cummins has distributors in 137 countries and regions, 5000 service networks spread all over the world. As the largest foreign investor of Chinese engine manufacturing industry, Cummins own Chongqing Cummins facility (producing M, N, and K series diesel engine) and Dongfeng Cummins facility (producing B, C, and L series diesel engine). Lees is the OEM partner of Cummins engine.

- **Performance**---Wider power ranges mean greater versatility for use in more applications: commercial, institutional, industrial, utilities, communications, government and more.
- **Lower operating and maintenance costs**---An increase in oil change intervals, longer life of components, longer top-end as well as full-overhaul periods, and reduced fuel consumption result in lower operating and maintenance costs..
- **Easy operation**---Each generator set is equipped with a baseframe-mounted control cabinet, together with Deep Sea 7320 controller as standard, and integral circuit breaker, ensuring a dependable and user-friendly operating system.
- **Improved serviceability**---Every Lees components was designed with serviceability in mind, resulting in simple, robust components that makes servicing fast and easy. The entire engine is built with internationally available tools and hardware.

Cummins engine → Model: QSZ13-G3



**Cummins QSZ13-G3**

|                               |                                  |
|-------------------------------|----------------------------------|
| <b>Displacement (L)</b>       | 13                               |
| <b>Cylinder NO.</b>           | 6                                |
| <b>Compression ratio</b>      | 17:1                             |
| <b>Bore x Stroke (mm)</b>     | 130x163                          |
| <b>Aspiration</b>             | Turbocharged & Charge air cooled |
| <b>Fuel system</b>            | HPCR                             |
| <b>Governor regulation</b>    | <1%                              |
| <b>Emission certification</b> | MEP STAGE II                     |

| Engine speed | Standby power |     | Prime power |     | Continuous power |     |
|--------------|---------------|-----|-------------|-----|------------------|-----|
|              | RPM           | kW  | HP          | kW  | HP               | kW  |
| 1500         | 470           | 629 | 450         | 603 | 395              | 529 |
| 1800         | 500           | 670 | 450         | 603 | 395              | 529 |

**Engine performance data @ 1800 RPM**

| OUTPUT POWER     |     |     | FUEL CONSUMPTION |       |
|------------------|-----|-----|------------------|-------|
| %                | kW  | HP  | g/kW.h           | L/h   |
| STANDBY POWER    |     |     |                  |       |
| 100              | 500 | 670 | 204              | 118.6 |
| PRIME POWER      |     |     |                  |       |
| 100              | 450 | 603 | 199              | 104.1 |
| 75               | 338 | 452 | 193              | 75.7  |
| 50               | 225 | 301 | 194              | 50.8  |
| 25               | 113 | 151 | 214              | 28    |
| CONTINUOUS POWER |     |     |                  |       |
| 100              | 395 | 529 | 194              | 89.1  |

## Alternator

Main features:

- 12 wire reconnectable stator/terminal arrangement
- Easy access for installation and maintenance
- 2/3 pitch winding as standard, to avoid excessive neutral currents
- Class H insulation with severe environmental protection as standard
- Built to conform with all leading industrial and marine standards
- 460 AVR as standard with 1.5% regulation and 2 phase sensing
- IP23 as standard

### Alternator specifications

|                                  |   |
|----------------------------------|---|
| <b>Control system</b>            | Self excited  |
| <b>A.V.R.</b>                    | AS440   |
| <b>Voltage regulation</b>        | ±1.0%   |
| <b>Insulation system</b>         | Class H   |
| <b>Protection</b>                | IP23  |
| <b>Stator winding</b>            | Double layer lap  |
| <b>Winding pitch</b>             | 2/3   |
| <b>Winding leads</b>             | 12  |
| <b>Stator wdg. resistance</b>    | 0.0073 Ohms per phase at 22°C series star connected     |
| <b>Rotor wdg. resistance</b>     | 1.37 Ohms at 22°C                                       |
| <b>Excited stator resistance</b> | 18 Ohms at 22°C   |
| <b>Excited rotor resistance</b>  | 0.068 Ohms per phase at 22°C                            |
| <b>Waveform distortion</b>       | No load <1.5% non-distorting balanced linear load <5.0% |
| <b>Maximum overspeed</b>         | 2250 Rev/Min  |
| <b>Bearing drive end</b>         | -   |
| <b>Bearing non-drive end</b>     | BALL.6314 (ISO)   |
| <b>Packing crate size</b>        | 155X87X107 (cm)   |
| <b>Telephone interference</b>    | THF<50 (60Hz)   |
| <b>Cooling air</b>               | 0.92m3/sec  |

### Alternator options

|                    |           |
|--------------------|-----------|
| <b>Stamford</b>    | S4L1D-F41 |
| <b>Leroy Somer</b> | TAL A47 A |
| <b>Lees</b>        | LA4F      |





**Deepsea control module → Model: 7320**



The DSE7320 is an Auto Mains (Utility) Failure Control Module suitable for a wide variety of single, diesel or gas, gen-set applications.

Monitoring an extensive number of engine parameters, the modules will display warnings, shutdown and engine status information on the back-lit LCD screen, illuminated LEDs, remote PC and via SMS text alerts (with external modem).

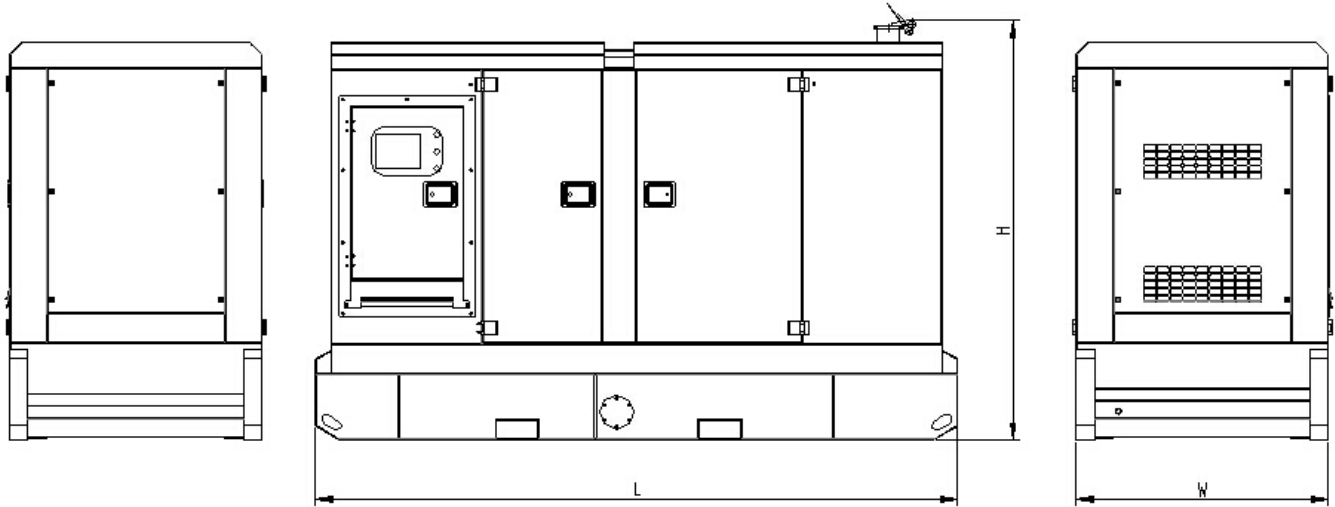
The DSE7320 will also monitor the mains (utility) supply. The modules include USB, RS232 and RS485 ports as well as dedicated DSENet terminals for system expansion.



**Key Features:**

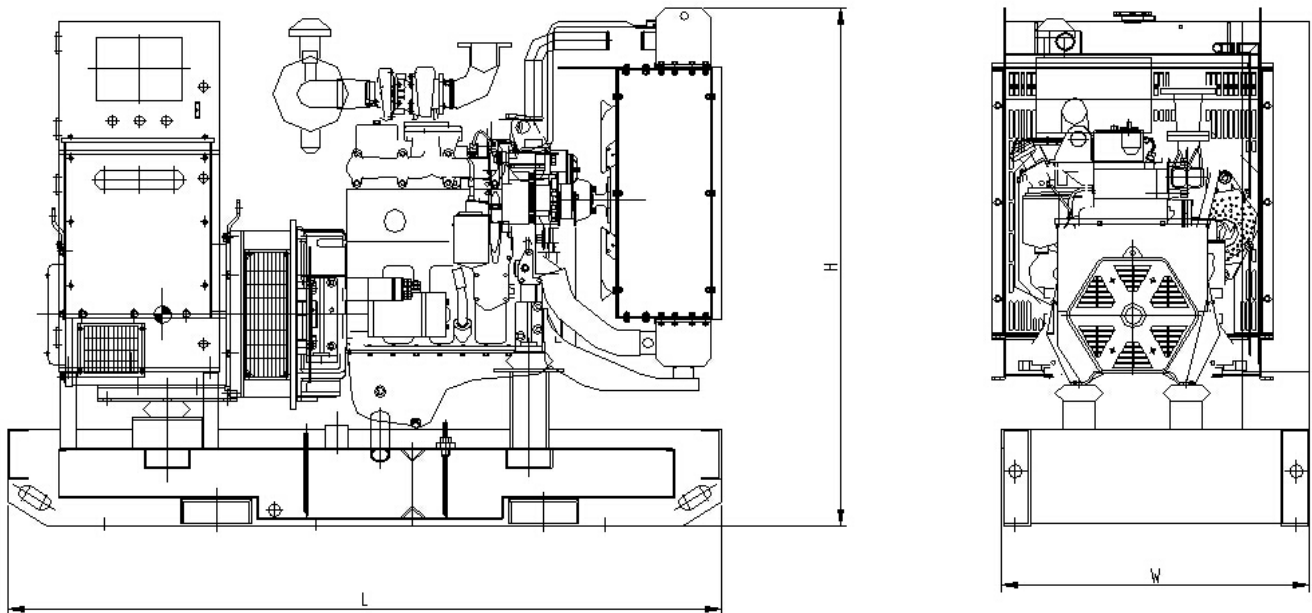
- 4-line back-lit LCD text display
- Five key menu navigation
- Front panel editing with PIN protection
- LED and LCD alarm indication
- Customisable status screens
- Power save mode
- Support for up to three remote display units
- 9 configurable inputs
- 8 configurable outputs
- Flexible sender inputs
- Configurable timers and alarms
- 3 configurable maintenance alarms
- Multiple date and time scheduler
- Configurable event log (250)
- Control logic facilities
- Easy access diagnostic page
- CAN and Magnetic Pick-up / Alt. Sensing
- Fuel usage monitor and low fuel alarms
- Charger alternator failure alarm
- Manual speed control
- Manual fuel pump control
- Engine exerciser
- "Protections disabled" feature
- kW overload protection
- Power monitoring
- Load switching (load shedding and dummy load outputs)
- Automatic load transfer
- Unbalanced load protection
- Independent Earth Fault trip
- USB connectivity
- Backed up real time clock
- Fully configurable via DSE Configurable Suite PC software
- Configurable display languages
- Remote SCADA monitoring via DSE Configuration Suite PC software
- User selectable RS232 and RS485 communications
- SMS Messaging (additional external modem required)
- Additional display screens to help with modem diagnostics
- DSENet expansion compatible
- Integral PLC editor

**Overview dimension & Sound levels**



**LSC500S3-6 (Silent type)**

| Configuration | L= Length (mm) | W= Width (mm) | H= Height (mm) | Weight (kg) |
|---------------|----------------|---------------|----------------|-------------|
| Enclosed set  | 4700           | 1630          | 2350           | 5140        |



**LSC500E3-6 (Open type)**

| Configuration | L= Length (mm) | W= Width (mm) | H= Height (mm) | Weight (kg) |
|---------------|----------------|---------------|----------------|-------------|
| Open set      | 3400           | 1258          | 2050           | 4050        |

## Generating Sets Standard and Optional Features

### Engine:

- 4-stroke, water-cooled diesel engine
- Standard air filter
- Standard fuel filter
- Standard oil filter
- Oil temperature sensor
- Low coolant level sensor
- 24V electrical system
- Radiator with blowing fan
- Industrial silence
- **Fuel water separator (optional)**
- **Water jacket heater (optional)**

### Alternator:

- Class H insulation
- IP23 Protection
- Automatic Voltage Regulator (AVR)
- PMG excitation
- Single bearing alternator

### Electrical system:

- DSE 7320 control module
- Maintenance-free and anti-explosion battery
- Standard breaker
- **ABB breaker (optional)**
- **ATS (optional)**
- **Battery charger (optional)**

- **GMS monitoring (optional)**

### Packing:

- Engine manual
- Alternator manual
- Gensets operation and maintenance manual
- Tool kit

### Baseframe:

- Forklift pockets
- Pulling slots
- Earth wire protection
- Built-in anti vibration mountings
- Fuel outlet valve
- Standard 8 hours fuel tank
- **Enlarged 24 hours fuel tank (optional)**
- **Separated fuel tank (optional)**

### Canopy:

- Weatherproof & sound-attenuated canopy
- Sound-absorbing material
- Lifting lug
- Emergency stop button
- Inside silencer
- **Trailer (optional)**

## Contact your distributor / dealer for more information

### WUXI LEES POWER COMPANY LIMITED

NO.312 Highway, Luoshe Town, Wuxi, China, 214000

Tel: 86-510-85166446

Fax: 86-510-85168446

Web: [www.leespower.com](http://www.leespower.com)

Email: [lees@leespower.com](mailto:lees@leespower.com)

