

LSIC800S3

Powered by Cummins G-Drive



50HZ



Water-cooled



Three Phase



Diesel

Model		LSIC800S3
Standby Power	KVA	880
	KW	704
Prime Power	KVA	800
	KW	640
Frequency	Hz	50
Voltage	V	230/400
Rated speed	rpm	1500

Covering everything from 25 to 2750 kVA Prime Power at 50Hz and 18 to 2500 kWe Prime Power at 60Hz, the Cummins G-Drive range offers the broadest product line-up in the world along with power ratings to match. What's more, the family of engines features products for virtually every need and location, from Ultra Low Emission Regulated models compliant with US EPA Tier 4 to emissionised Regulated units and robust Unregulated engines – many in preassembled CoolPac sets. With this unparalleled strength and versatility, it is no wonder Cummins G-Drive engines power more types of equipment in more markets than any other make of engine.

Advanced electronic engine controls

The state-of-the-art electronic sensors and microprocessor-based engine controls compensate for load, temperature, fuel energy content, barometric pressure and even engine wear, thus improving fuel efficiency and power output while cutting Nox and PM production.

High-pressure common rail

Higher injection pressures from new fuel injection systems improve fuel atomisation, assist combustion chamber penetration for better cold starting and response to transient loads, and also enhance engine performance.

Cummins G-Drive Engine → Model: QSK23-G3


Cummins QSK23-G3: In-line, 4 Cycle, Turbo-charged, Diesel Engine	
Bore X Stroke (mm)	170X170
Displacement (L)	23.1
Cylinder block	Cast iron, 6 cylinder
Battery charging alternator (A)	35
Starting voltage (V)	24
Fuel system	Direct injection Cummins HPI
Fuel filter	Spin-on fuel filters with water separator
Lube oil filter type	Spin-on full flow filter
Lube oil capacity (L)	103
Flywheel dimensions	SAE0

Cooling system	
Cooling system design	Air-air charge cooled
Coolant ratio	50% ethylene glycol, 50% water
Coolant capacity (L)	110
Limiting ambient temp (°C)	50.9
Fan power (kWm)	14.4
Cooling system air flow (m3/s)	13.5
Air cleaner type	Dry replaceable element with restriction indicator

Weight & Dimensions	
Length (mm)	2976
Width (mm)	1656
Height (mm)	1964
Weight (dry) (kg)	3245

Fuel consumption 1500 (50Hz)	
Prime power (100%) (kWm)	701
Prime power (75%) (kWm)	526
Prime power (50%) (kWm)	351
Prime power (25%) (kWm)	175

Alternator

Main features:

- 12 wire reconnectable stator/terminal arrangement
- Easy access for installation and maintenance
- 2/3 pitch winding as standard, to avoid excessive neutral currents
- Class H insulation with severe environmental protection as standard
- Built to conform with all leading industrial and marine standards
- 460 AVR as standard with 1.5% regulation and 2 phase sensing
- IP23 as standard

Alternator Specifications	
Number of phase	3
Connecting type	3 Phase 4 Wire, "Y" type connecting
Number of bearing	1
Protection grade	IP23
Exciter type	Brushless, self-exciting
Insulation class, Temperature rise	H/H
Telephone Influence Factor (TIF)	<50
THF	<2%
Voltage Regulation, Steady state	≤±1%
Alternator capacity	810kVA
Alternator efficiencies	94.4%
Air cooling flow	1.614m ³ /s

Alternator options	
Stamford	S6L1D-D41
Leroy Somer	TAL049C
Lees	LA 6C





Deepsea control module → Model: 7320



The DSE7320 is an Auto Mains (Utility) Failure Control Module suitable for a wide variety of diesel or gas genset applications.

Monitoring an extensive number of engine parameters, the modules will display warnings, shutdown and engine status information on the back-lit LCD screen, illuminated LEDs, remote PC and via SMS test alerts (with external modem).

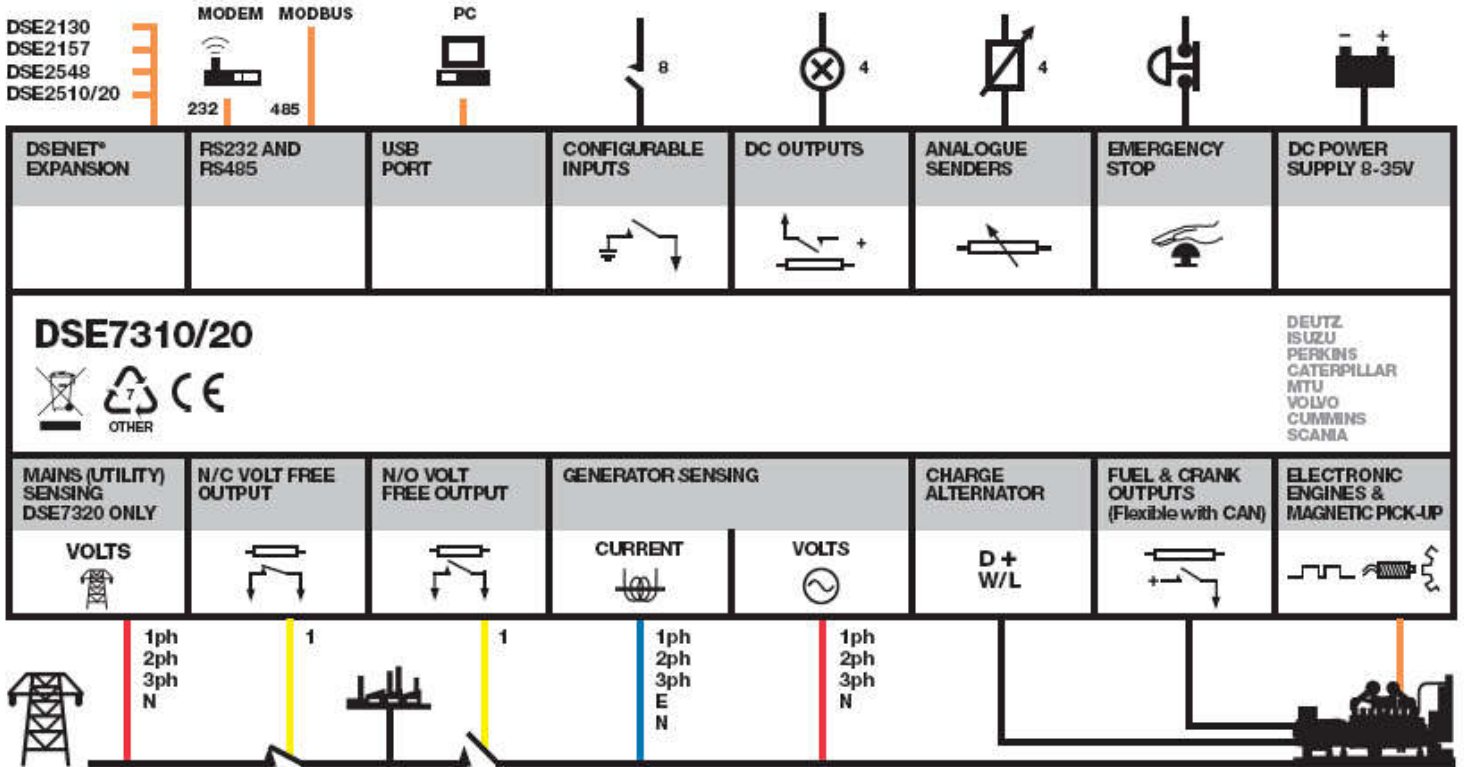
The DSE7320 will also monitor the mains (utility) supply. The modules include USB, RS232 and RS485 ports as well as dedicated DSENet terminals for system expansion.



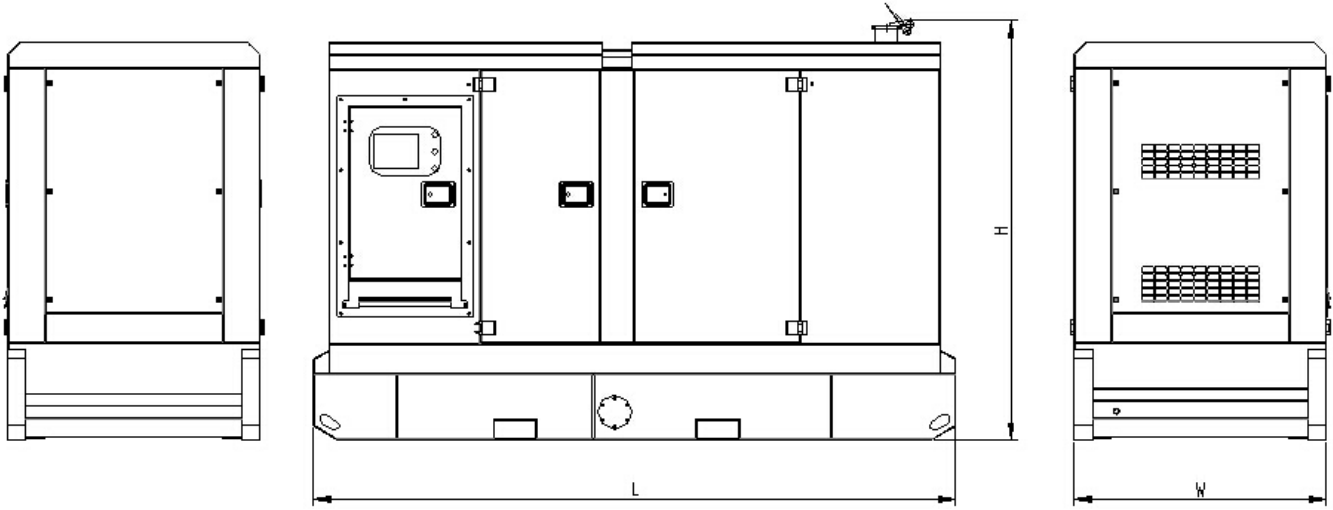
Key Features:

- 4-line back-lit LCD text display
- Five key menu navigation
- Front panel editing with PIN protection
- LED and LCD alarm indication
- Customisable status screens
- Power save mode
- Support for up to three remote display units
- 9 configurable inputs
- 8 configurable outputs
- Flexible sender inputs
- Configurable timers and alarms
- 3 configurable maintenance alarms
- Multiple date and time scheduler
- Configurable event log (250)
- Control logic facilities
- Easy access diagnostic page
- CAN and Magnetic Pick-up / Alt. Sensing
- Fuel usage monitor and low fuel alarms
- Charger alternator failure alarm
- Manual speed control
- Manual fuel pump control
- Engine exerciser
- “Protectons disabled” feature
- kW overload protection
- Power monitoring
- Load switching (load shedding and dummy load outputs)
- Automatic load transfer
- Unbalanced load protection
- Independent Earth Fault trip
- USB connectivity
- Backed up real time clock
- Fully configurable via DSE Configurable Suite PC software
- Configurable display languages
- Remote SCADA monitoring via DSE Configuration Suite PC software
- User selectable RS232 and RS485 communications
- SMS Messaging (addtiional external modem required)
- Additional display screens to help with modem diagnostics
- DSENet expansion compatible
- Integral PLC editor

Deepsea control module → Model: 7320

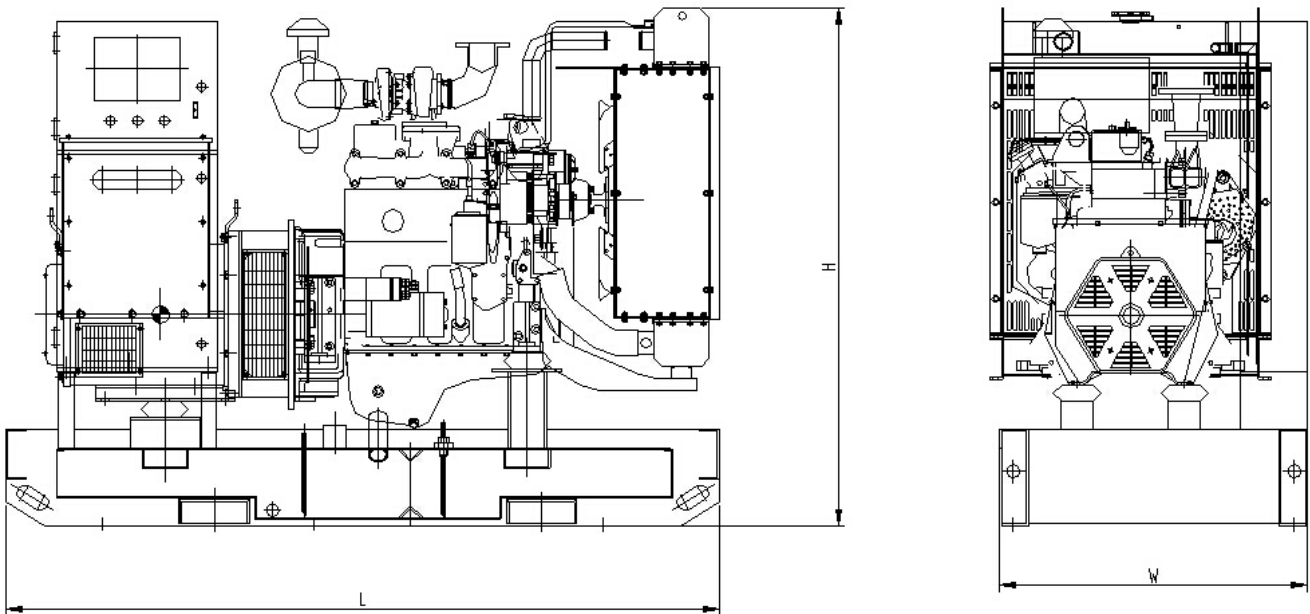


Overview dimension & Sound levels



LSIC800S3 (Silent type)

Configuration	L= Length (mm)	W= Width (mm)	H= Height (mm)	Weight (kg)
Enclosed set	5060	1912	2530	6520



LSIC800E3 (Open type)

Configuration	L= Length (mm)	W= Width (mm)	H= Height (mm)	Weight (kg)
Enclosed set	3650	1638	2050	5800

Generating Sets Standard and Optional Features

Engine:

- 4-stroke, water-cooled diesel engine
- Standard air filter
- Standard fuel filter
- Standard oil filter
- Oil temperature sensor
- Low coolant level sensor
- 24V electrical system
- Radiator with blowing fan
- Industrial silence
- **Fuel water separator (optional)**
- **Water jacket heater (optional)**

Alternator:

- Class H insulation
- IP23 Protection
- Automatic Voltage Regulator (AVR)
- PMG excitation
- Single bearing alternator

Electrical system:

- DSE 6020 control module
- Maintenance-free and anti-explosion battery
- Standard breaker
- **ABB breaker (optional)**
- **ATS (optional)**

- **Battery charger (optional)**
- **GMS monitoring (optional)**

Packing:

- Engine manual
- Alternator manual
- Gensets operation and maintenance manual
- Tool kit

Baseframe:

- Forklift pockets
- Pulling slots
- Earth wire protection
- Built-in anti vibration mountings
- Fuel outlet valve
- Standard 8 hours fuel tank
- **Enlarged 24 hours fuel tank (optional)**
- **Separated fuel tank (optional)**

Canopy:

- Weatherproof & sound-attenuated canopy
- Sound-absorbing material
- Lifting lug
- Emergency stop button
- Inside silencer
- **Trailer (optional)**

Contact your distributor / dealer for more information

WUXI LEES POWER COMPANY LIMITED

NO.312 Highway, Luoshe Town, Wuxi, China, 214000

Tel: 86-510-85166446

Fax: 86-510-85168446

Web: www.leespower.com

Email: lees@leespower.com

